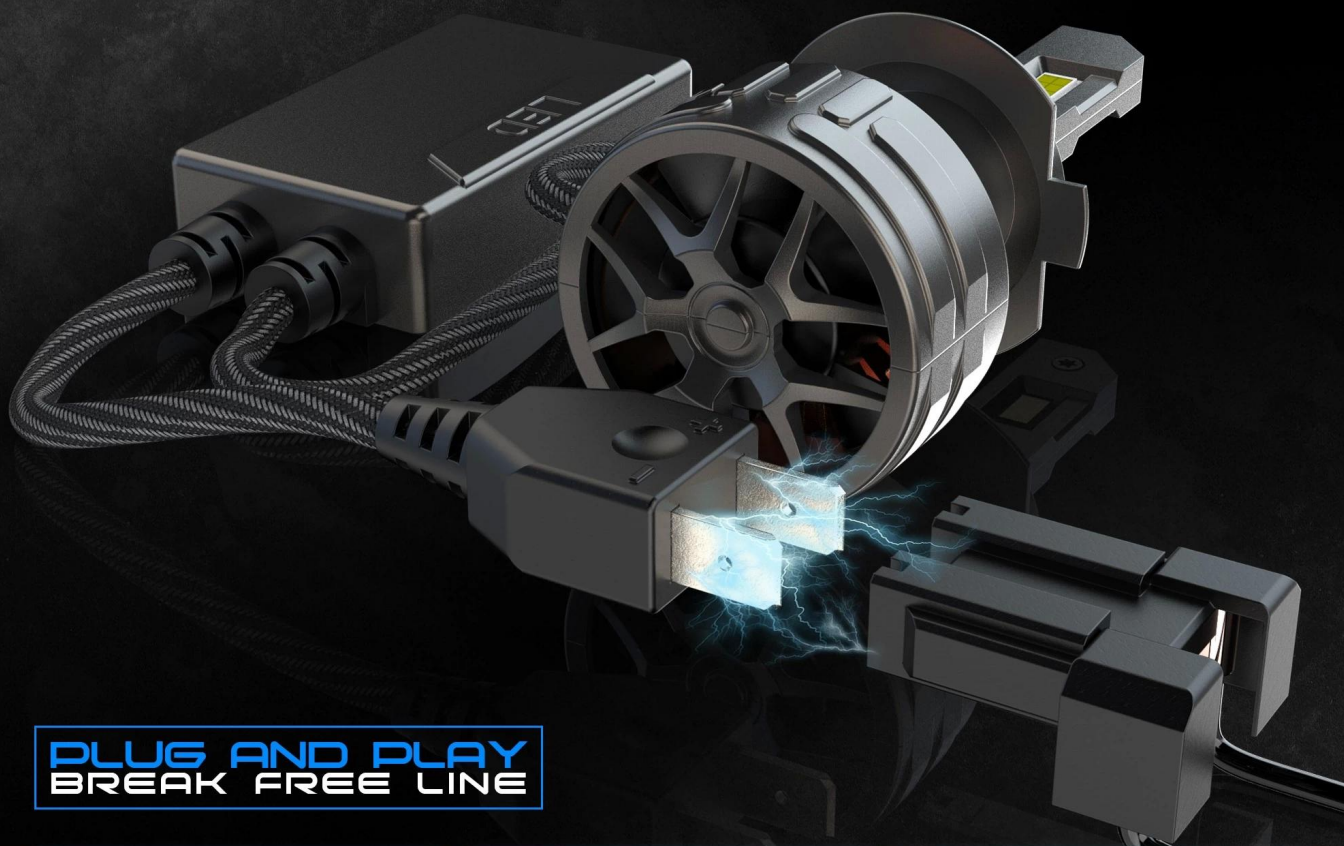


HASSLE-FREE INSTALLATION



PLUG AND PLAY
BREAK FREE LINE



ALL IN CONTROL

INTELLIGENT & POWERFUL

Built to ensure the LED bulbs to get a long-term and stable illumination



EMC

Effectively prevent electromagnetic interference to electronic equipment such as car radios

DRIVER LONGER

Intelligence temperature controller to ensure the LED headlight bulbs over 30,000+ hrs of brilliant continuous light.

CANBUS UPGRADED

Dedicated LED driver eliminates flicker and ensures full power with very turn-on.

TEMPERATURE CONTROL

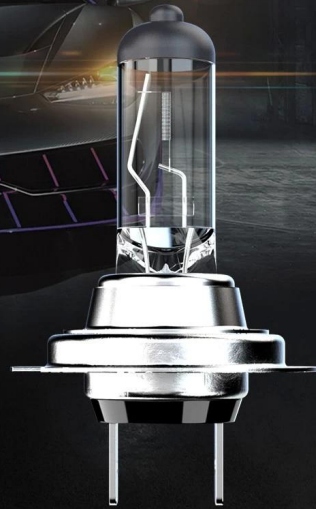
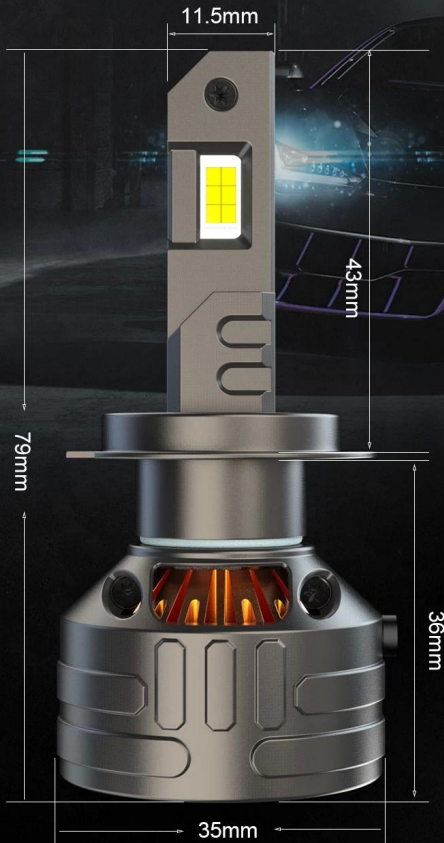
Intelligent temperature control chip, effectively prevent temperature overload, more stable performance



BEYOND

THE ORIGINAL HALOGEN LAMP

NEW UPGRADE OF A NEW GENERATION OF LED CAR HEADLIGHTS



12000LM

200M

0.01S

30,000+ HRS

LUMEN
DISTANCE
STARTUP SPEED
LIFESPAN

3200LM

100M

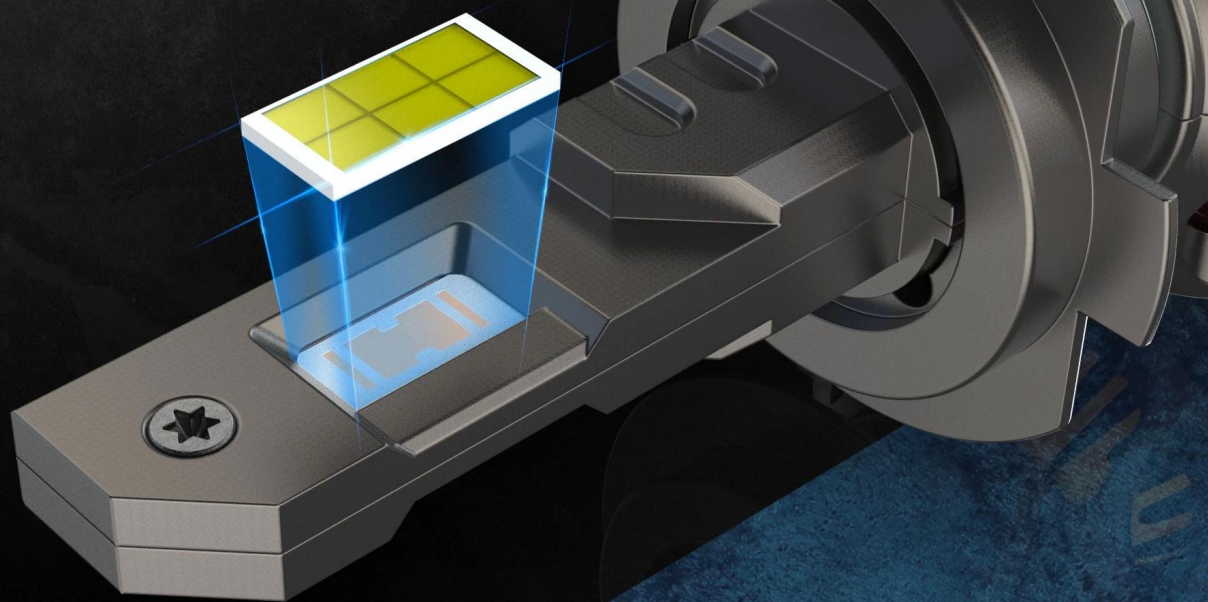
1S

3,000 HRS

UPDATE VERSION

BRIGHTNESS BOOST 150%

COMPARED WITH THE ORIGINAL CAR XENON LAMP



▶ Low beam



▶ High beam

EFFICIENT COOLING SYSTEM

Gets rid of much heat from the led chipsets to ensure The longevity of up to 30000+ hours



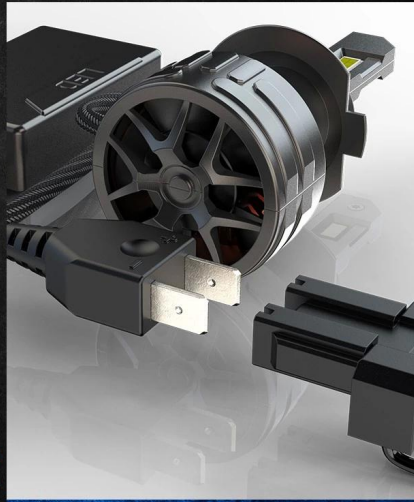
Noiseless turbofan

Copper fins for heat dissipation

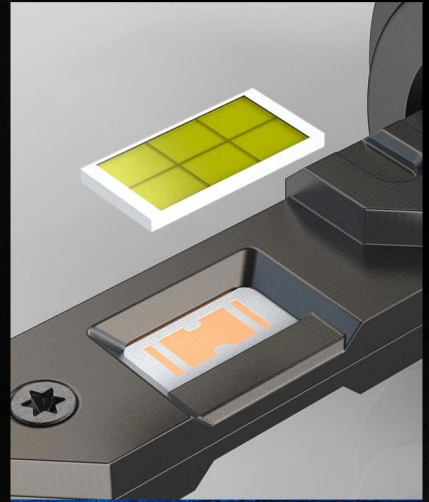
Vacuum heat pipe

5

IMPROVES
ADVANTAGE



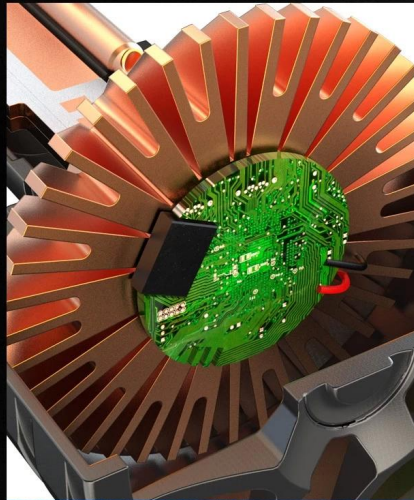
PLUG AND PALY



UPGRADED LED CHIP



NOISELESS TURBOFAN



COPPER FINS FOR HEAT
DISSIPATION



VACUUM HEAT PIPE