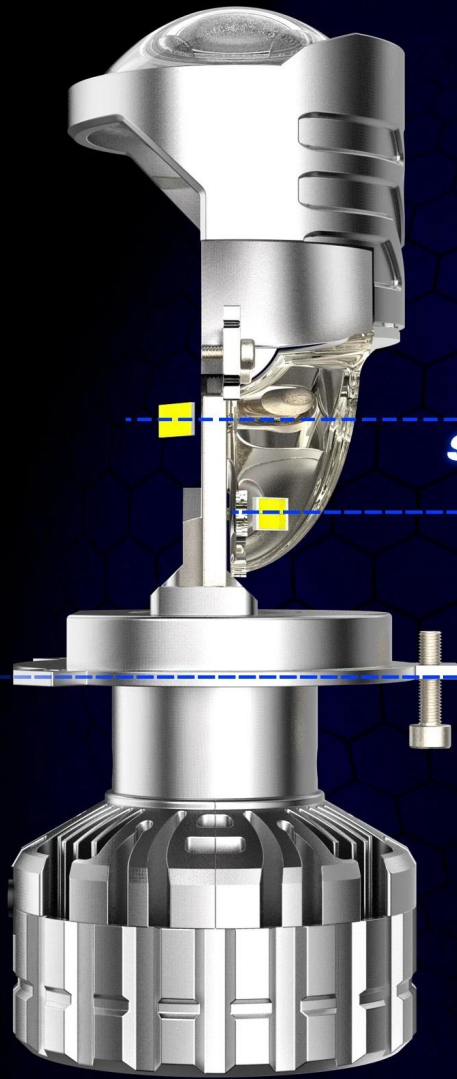
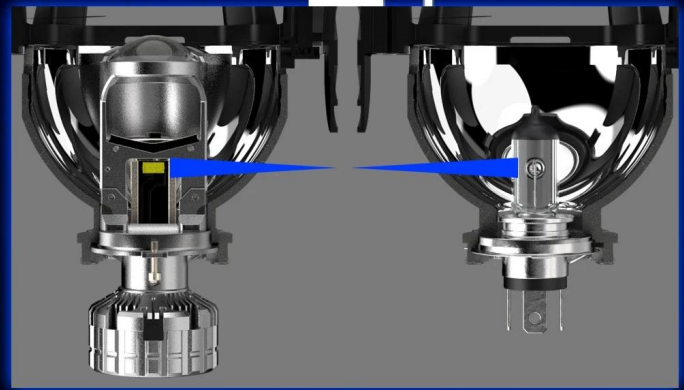


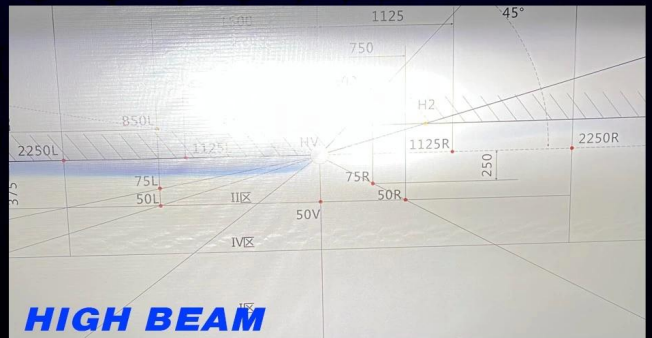
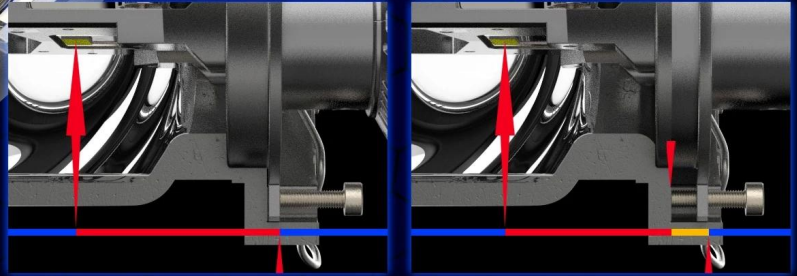
**DESIGN SAME
AS HALOGEN BULB**



**1:1
SAME FOCUS**



PRECISE DIMMING



MULTICOOL TECHNOLOGY

*Fan activates automatically
to reduce heat*



AUTOMOTIVE-SPECIFIC
EC CHIPSETS



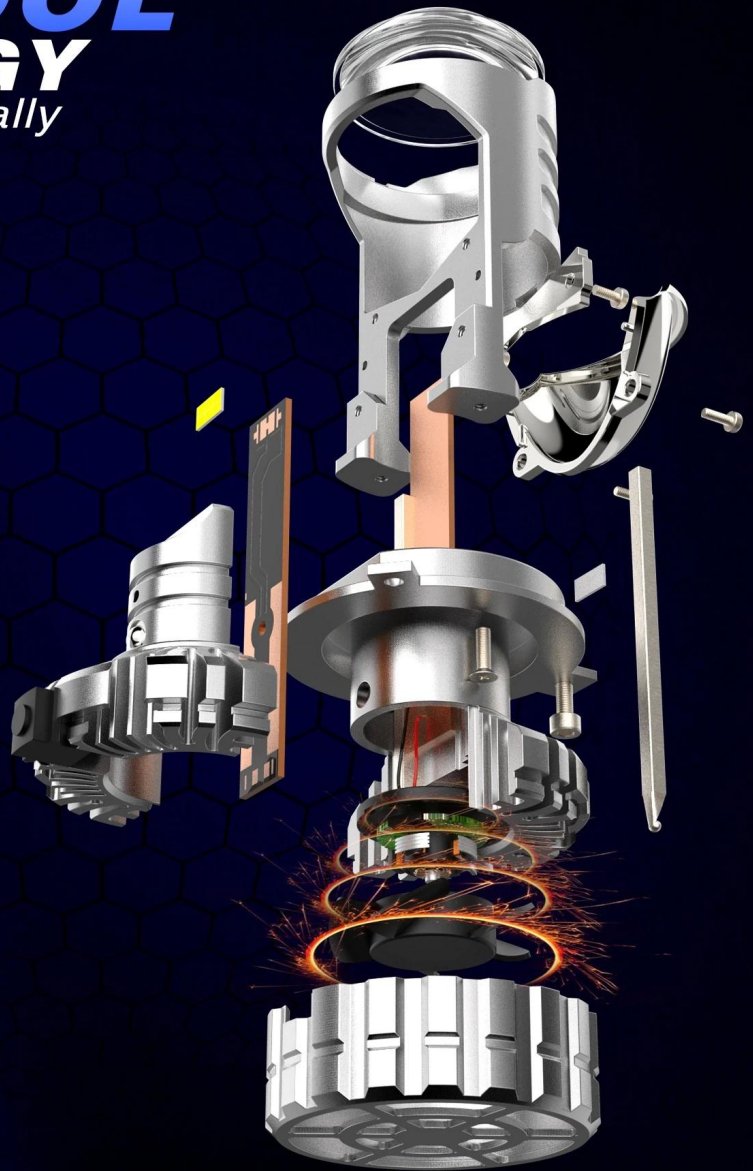
12000RPM
TURBO FAN



COOLING FINS

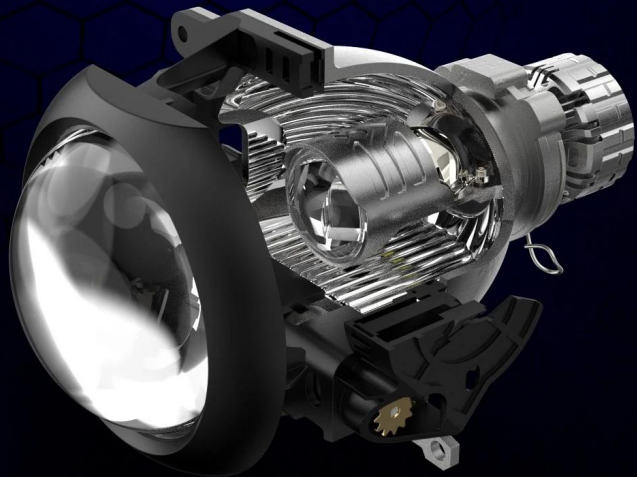
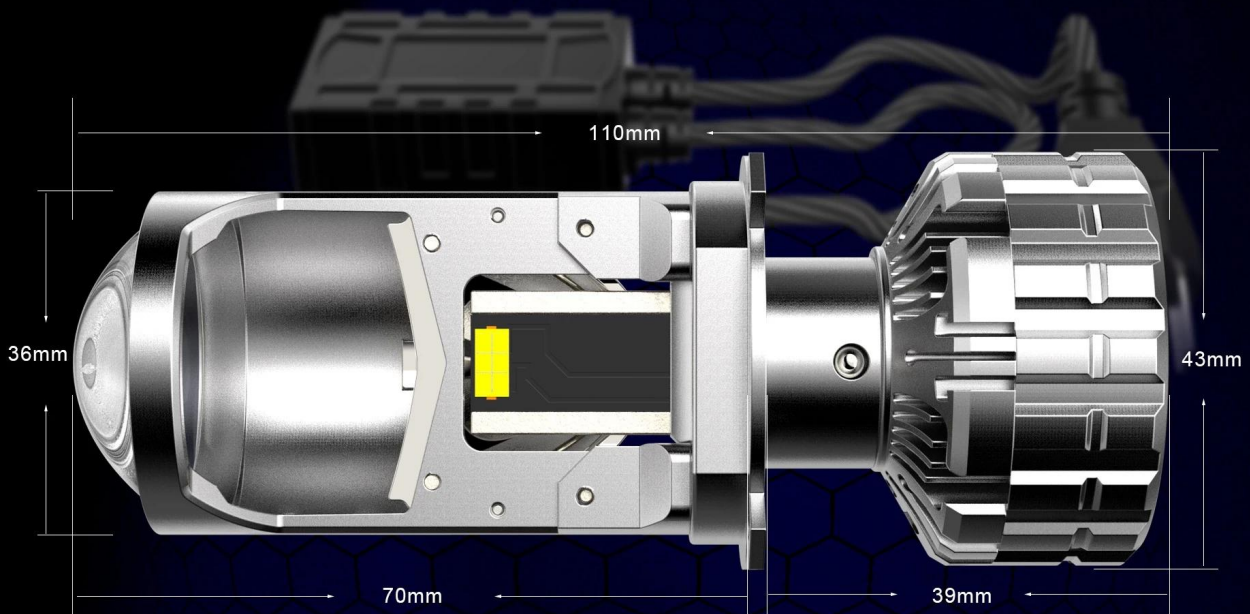


SMART DRIVE



SMALLER SIZE

Higher installation compatibility



Can be applied to cars and motorcycles using H4 type lights

UPGRADED LED CHIPS



SUPER CLASS PERFORMANCE

Enjoy a night - time driving with the revolutionary LED lighting or brighter and whiter beam

8063 ALUMINUM SHELL
AUXILIARY COOLING SHELL
Intelligent temperature control



14000LM
+350% BEAM



12000RPM
STABLE COOLING



WHOLE ALUMINUM
AVIATION GRADE



6000K
COMFORT DAYLIGHT



PLUG-AND-PLAY
QUICK INSTALLATION



140 Watts
HIGH POWER



4 times brightness boost
HIGHER BRIGHTNESS



Copper circuit board
DISSIPATE HEAT



Smart decoding
DECODER



Turbine fan
HIGH SPEED FAN



Rugged case
ALUMINUM



Heat conduction rapidly
VACUUM HEAT PIPE



Power cable
WORSTED ROPE



IP68
WATERPROOF